



## GENUINE PARTS

### INSTALLATION INSTRUCTIONS

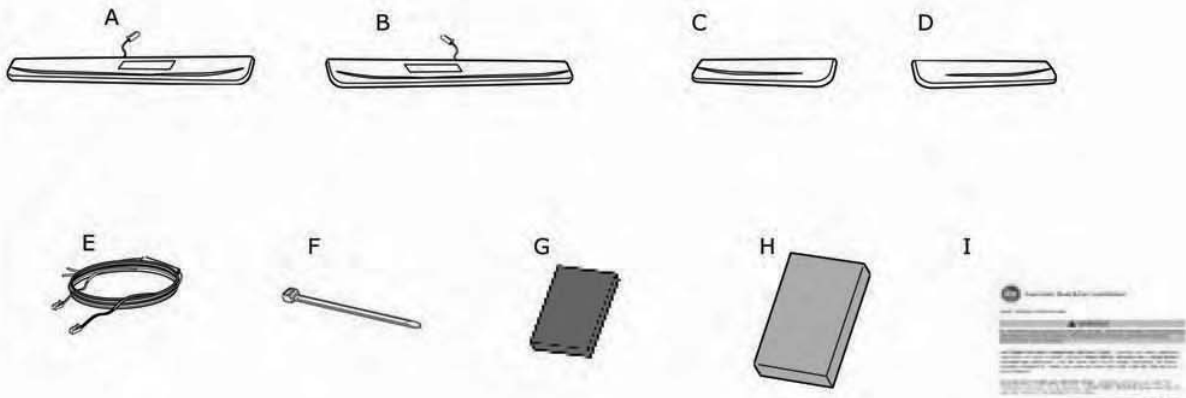
**1. DESCRIPTION:** Illuminated Kick Plate

**2. APPLICATION:** Q70

**3. PART NUMBER:** G6950-1MA0B

**4. KIT CONTENTS:**

| Item | QTY | Description                                    | SERVICE PART NUMBER |
|------|-----|--|---------------------|
| A    | 1   | Kick Plate FR LH                               | G6952-1MA0A         |
| B    | 1   | Kick Plate FR RH                               | G6951-1MA0A         |
| C    | 1   | Kick Plate RR LH                               | G6954-1ME0A         |
| D    | 1   | Kick Plate RR RH                               | G6953-1ME0A         |
| E    | 1   | Harness  | -                   |
| F    | 17  | Tie Wrap                                       | -                   |
| G    | 6   | Urethane Foam Tape                             | -                   |
| H    | 5   | Flat Wire Protector                            | -                   |
| I    | 1   | Installation Instructions Replacement Template | 999V2 AW000         |



**5. TOOLS REQUIRED:**

- Nylon removal tool
- Wire cutter
- 10mm Socket and driver
- Masking tape
- Flash light
- Scissors
- Fish tape
- 100% alcohol
- Soap and water
- Soft non linting towel

# INSTALLATION INSTRUCTIONS - ILLUMINATED KICK PLATE

## 6. PRE-INSTALLATION CAUTIONS/NOTES

### ⚠ CAUTION

- Dealer Installation Recommended. Instructions refer to Service Manual.
- Please read this instruction carefully before installing this product for correct installation.
- Please DO NOT use or install the part in ways other than what is described in this instruction manual.
- If problem occurs during installation, please contact Nissan dealer where you purchased the product.

- 1)Apply Parking Brake.
- 2)Make sure the shift lever is engaged in"P"or"N"position.
- 3)Record customer Radio Presets.

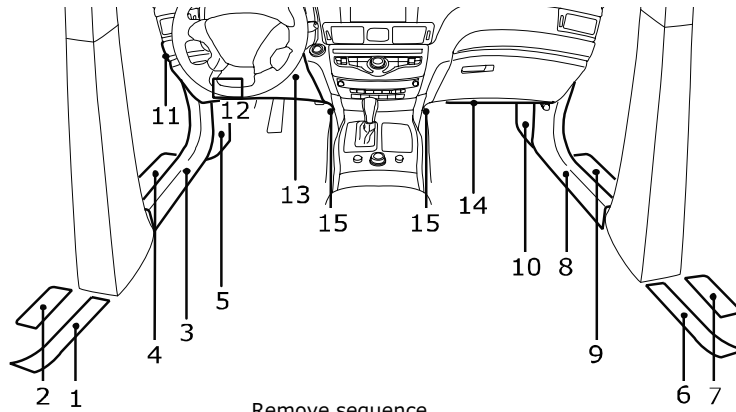
| Preset | 1 | 2 | 3 | 4 | 5 | 6 |
|--------|---|---|---|---|---|---|
| A      |   |   |   |   |   |   |
| B      |   |   |   |   |   |   |
| C      |   |   |   |   |   |   |

- 4)Use seat and floor protection.
- 5)Open the hood of the vehicle.
- 6)Disconnect the negative battery terminal to prevent short circuits during installation.
- 7)This part is to be installed at a surface temperature of 65-100°F.
- 8)Do not wash the vehicle for 24 hours after installing to prevent the double-sided tape from peeling.

### ⚠ CAUTION

- Care must be taken not to scratch or damage any components during the removal or replacement process.

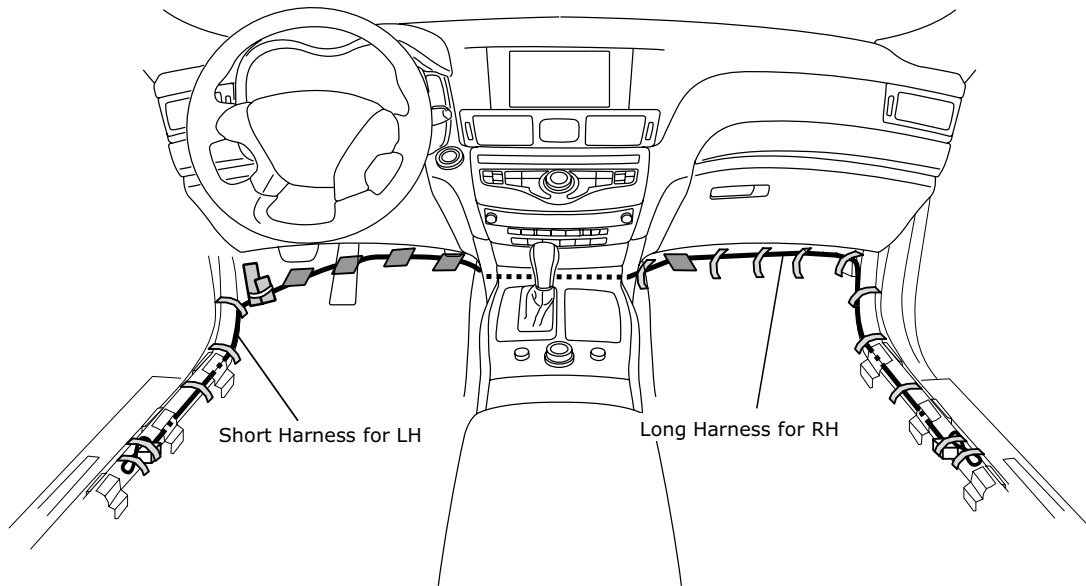
- 9)Remove the following interior trim parts in the sequence shown below.



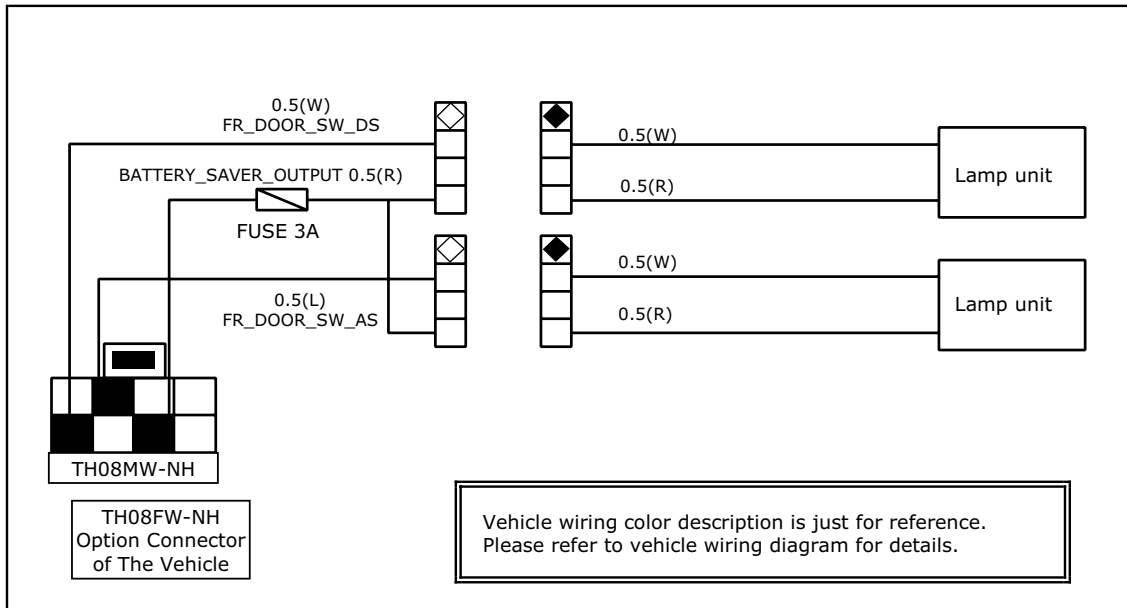
- |                                 |                                     |
|---------------------------------|-------------------------------------|
| 1.Rear Kicking Plate Inner LH   | 9.Front Kick Plate Outer RH         |
| 2.Rear Kicking Plate Outer LH   | 10.Dashboard Side Lower Panel RH    |
| 3.Front Kick Plate Inner LH     | 11.Instrument Side Finisher LH      |
| 4.Front Kick Plate Outer LH     | 12.Hood Opener                      |
| 5.Dashboard Side Lower Panel LH | 13.Instrument Driver Lower Panel    |
| 6.Rear Kicking Plate Inner RH   | 14.Instrument Passenger Lower Cover |
| 7.Rear Kicking Plate Outer RH   | 15.Floor Carpet Clip                |
| 8.Front Kick Plate Inner RH     |                                     |

# INSTALLATION INSTRUCTIONS - ILLUMINATED KICK PLATE

## 7. INSTALLATION OUTLINE

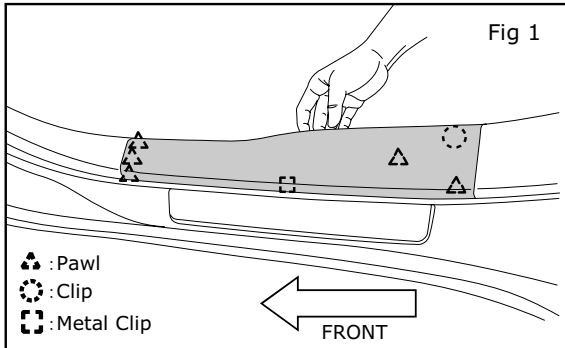


## 8. STANDARD CONNECTION METHOD

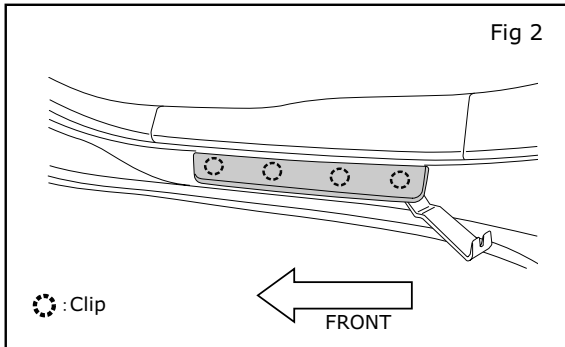


## INSTALLATION INSTRUCTIONS - ILLUMINATED KICK PLATE

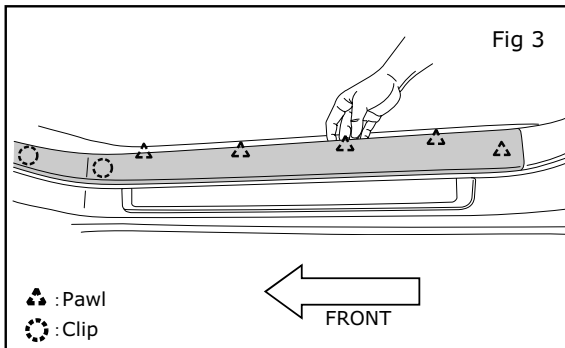
### 9. VEHICLE PARTS REMOVAL



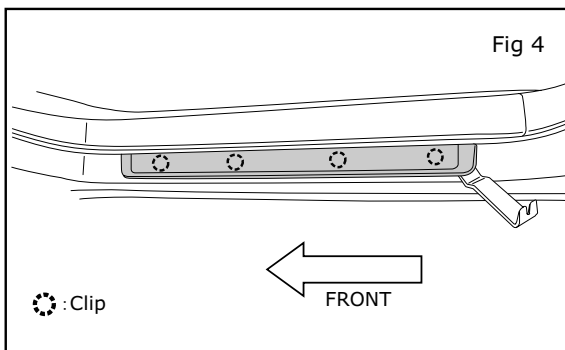
- 1) Rear Kicking Plate Inner LH removal
  - a) Pull up Rear Kicking Plate Inner, and disconnect mounting clip, pawls and metal clip. Shown in Fig 1.
  - b) Remove Rear Kicking Plate Inner (1), starting from rear to front side of Kicking Plate.



- 2) Rear Kicking Plate Outer LH removal
  - a) Detach Rear Kicking Plate Outer LH mounting clips with nylon removal tool, then remove Rear Kicking Plate Outer LH (2) Shown in Fig 2.



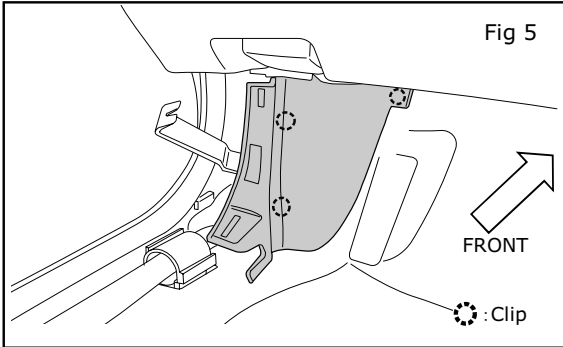
- 3) Front Kicking Plate Inner LH removal
  - a) Pull up Front Kicking Plate Inner, and disconnect pawls and clips. Shown in Fig 3.
  - b) Remove Front Kicking Plate Inner (3), starting from rear to front side of Kicking Plate.



- 4) Front Kicking Plate Outer LH removal
  - a) Detach Front Kicking Plate Outer LH mounting clips with nylon removal tool, then remove Front Kicking Plate Outer LH (4) Shown in Fig 4.

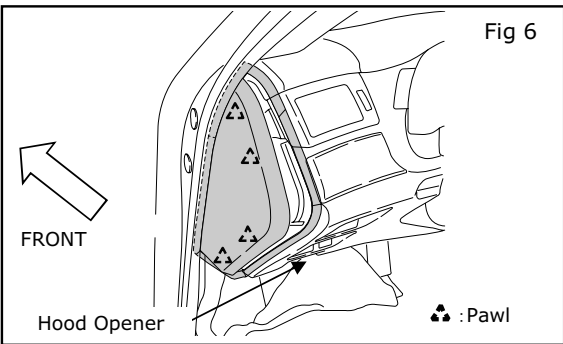
## INSTALLATION INSTRUCTIONS - ILLUMINATED KICK PLATE

### 9. VEHICLE PARTS REMOVAL CONT'D

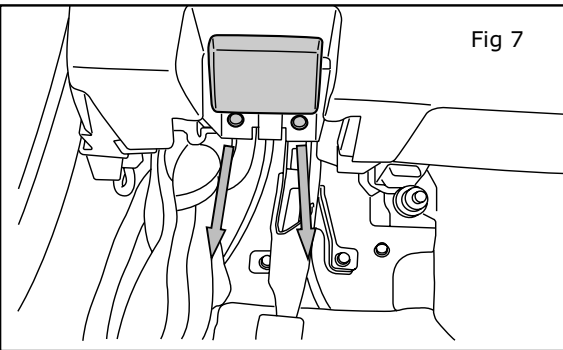


- 5) Dashboard Side Lower Panel LH removal
  - a) Detach Dashboard Side Lower Panel LH mounting clips with nylon removal tool, and turn it to remove. Then remove Dashboard Side Lower Panel LH (5). Shown in Fig 5.

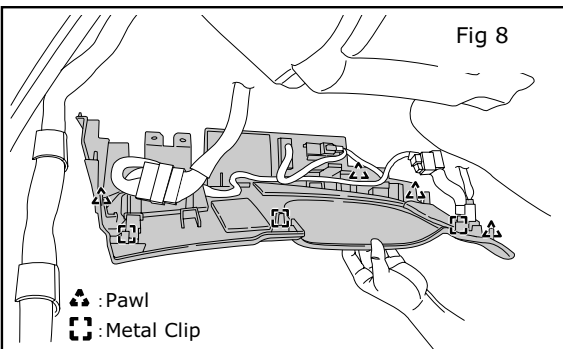
- 6) Repeat steps 1)-5) for RH side of Vehicle



- 7) Instrument Side Finisher LH removal
  - a) Apply masking tape to protect trim parts from scratch as shown in Fig 6
  - b) Detach Instrument Side Finisher LH mounting pawls with nylon removal tool, then remove Instrument Side Finisher LH (11). Shown in Fig 6.



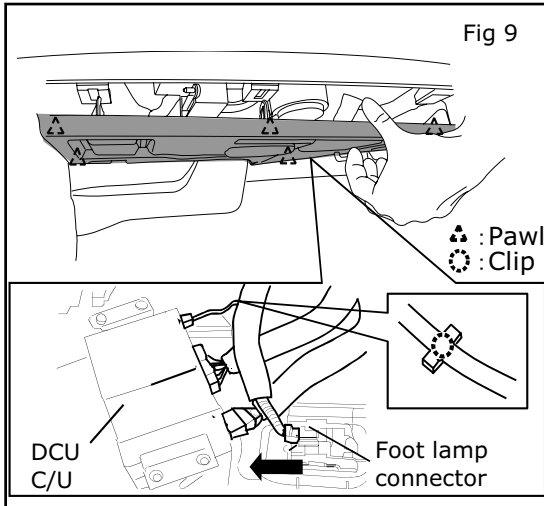
- 8) Hood Opener removal
  - a) Remove Hood Opener mounting screws with 10mm socket and driver, then remove Hood Opener (12). Shown in Fig 7.



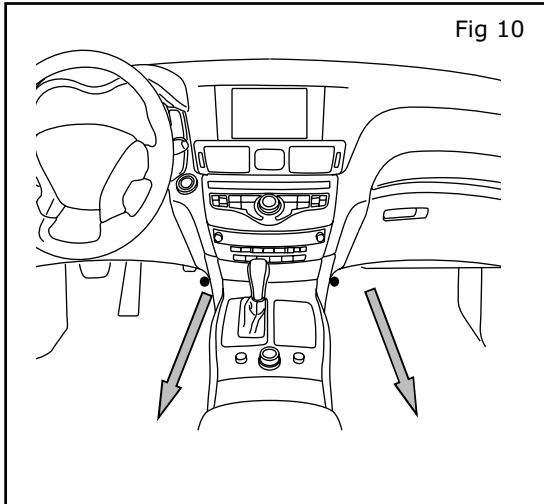
- 9) Instrument Driver Lower Panel removal
  - a) Pull down Instrument Driver Lower Panel(13), and disconnect pawls and metal clips. Shown in Fig 8.
  - b) Disconnect connectors and remove Instrument Driver Lower Panel(13).

# INSTALLATION INSTRUCTIONS - ILLUMINATED KICK PLATE

## 9. VEHICLE PARTS REMOVAL CONT'D



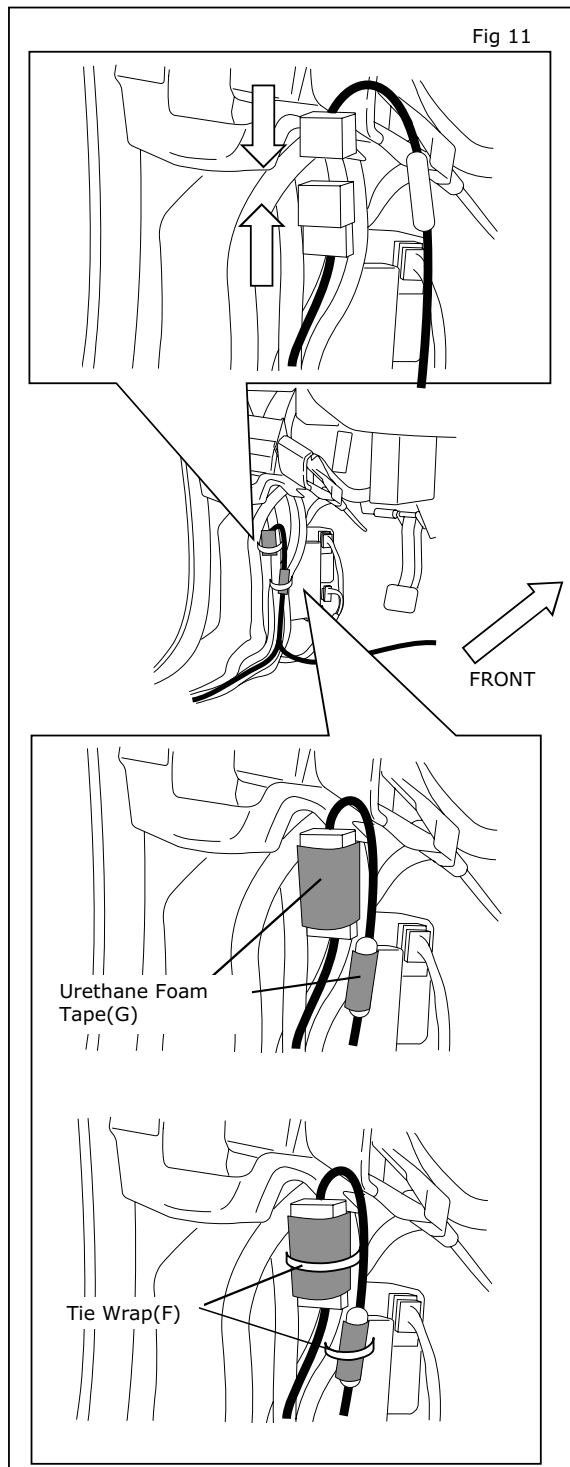
- 10) Instrument Passenger Lower Cover removal
- a) Pull down Instrument Passenger Lower Cover, and disconnect pawls. Shown in Fig 9. Remove Instrument Passenger Lower Cover (17),
  - b) Disconnect Foot lamp connector, Shown in Fig 9.



- 11) Floor Carpet Clip removal
- a) Remove Floor carpet mounting clips(15) with nylon removal tool.(2 pieces) Shown in Fig 10.

## INSTALLATION INSTRUCTIONS - ILLUMINATED KICK PLATE

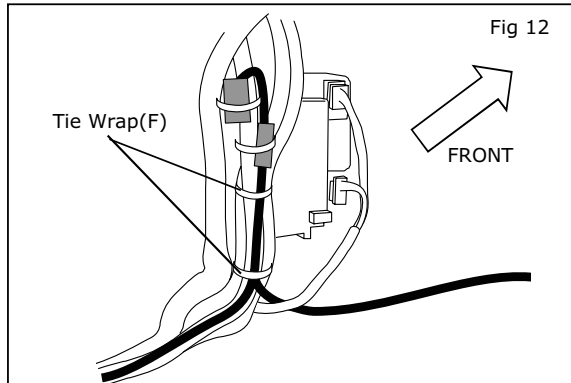
### 10. WIRING HARNESS INSTALLATION



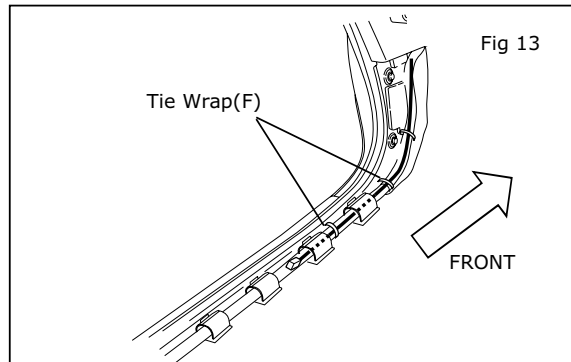
- 1) Connect connector (TH08FW), on the Harness (E) to vehicle harness at the position shown in Fig 11, using the Tie Wrap (F).
- 2) Wrap the connected connector with one piece of Urethane Foam Tape (G). Shown Fig 11.
- 3) Wrap the fuse of Harness (E) with one of Urethane Foam Tape (G). Shown Fig 11.
- 4) Attach the connector and fuse of Harness (E) to vehicle harness at the position shown in Fig 11, using the Tie Wrap (F). (2pieces)

## INSTALLATION INSTRUCTIONS - ILLUMINATED KICK PLATE

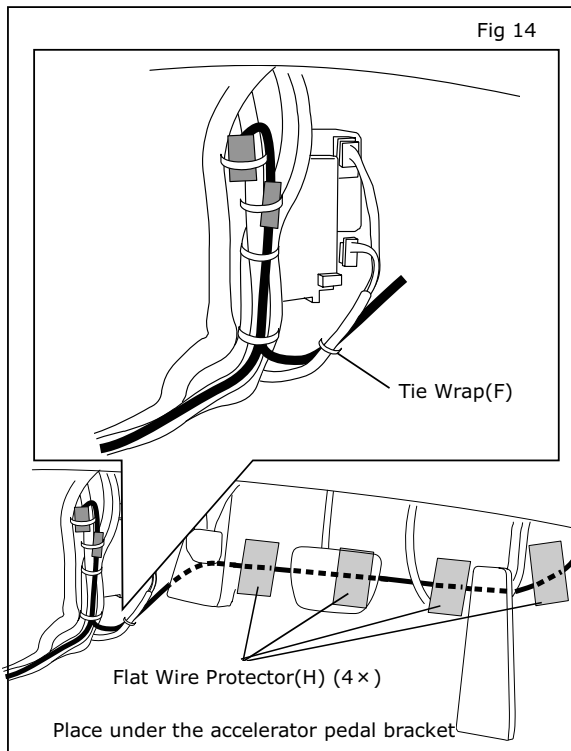
### 10. WIRING HARNESS INSTALLATION CONT'D



- 5) Attach the Harness (E) to vehicle harness at the position shown in Fig 12, using the Tie Wrap (F). (2pieces)



- 6) Route Harness (E) along the vehicle harness, and attach the Harness (E) to vehicle's harness using the Tie Wrap (F). Shown in Fig 13. (2places)



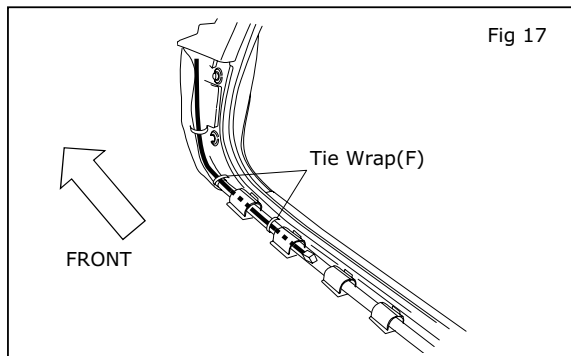
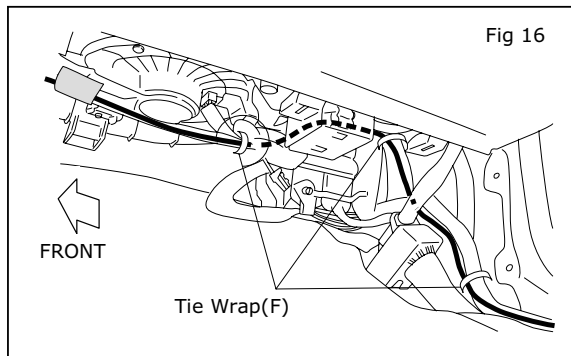
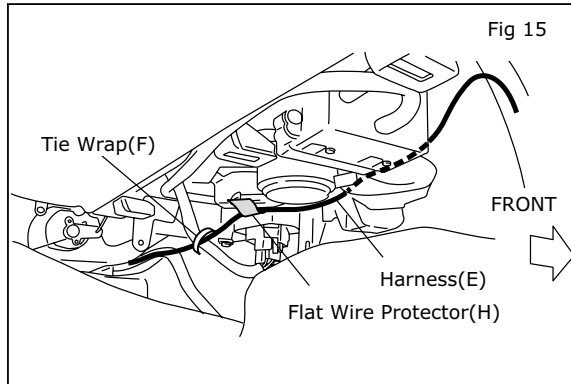
- 7) Attach the T-harness at the position shown in Fig 14, using the Tie Wrap (F). (1piece)

- 8) Flip the carpet of the driver's side, route harness under accelerator pedal bracket, and attach harness to floor using Flat Wire Protector (H) Shown in Fig 14.



## INSTALLATION INSTRUCTIONS - ILLUMINATED KICK PLATE

### 10. WIRING HARNESS INSTALLATION CONT'D

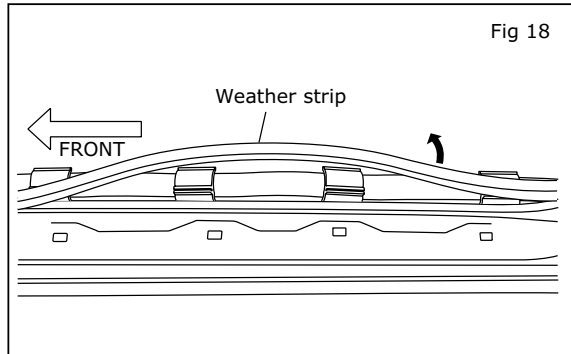


- 9) Flip the carpet of passenger side.
- 10) Route fish tape behind center console from driver's side harness to passenger side.
- 11) Pull harness with fish tape behind center console.
- 12) Attach the Harness at the position shown in Fig 15, using the tie wrap (F). (1piece)
- 13) Put a flat wire protector (H) on Blower Assy-Air Cond FR. Shown in Fig 15.(1place)
- 14) Attach the Harness at the position shown in Fig 16, using the tie wrap (F). (3pieces)
- 15) Route Harness (E) along the vehicle harness. and attach the Harness (E) to vehicle's harness using the Tie Wrap (F). Shown in Fig 17. (2places)
- 16) Function check
  - a) Connect Harness to kick plate lamp unit harness.
  - b) Connect battery.
  - c) Check function. Confirm "INFINITI" text illuminates when either door is open.
  - d) If OK, disconnect Harness from kick plate harness.
  - e) If NG, check harness routine, connections and lamp unit to identify root cause and fix it. Repeat steps a) to c) until it is OK.
  - f) Disconnect battery.

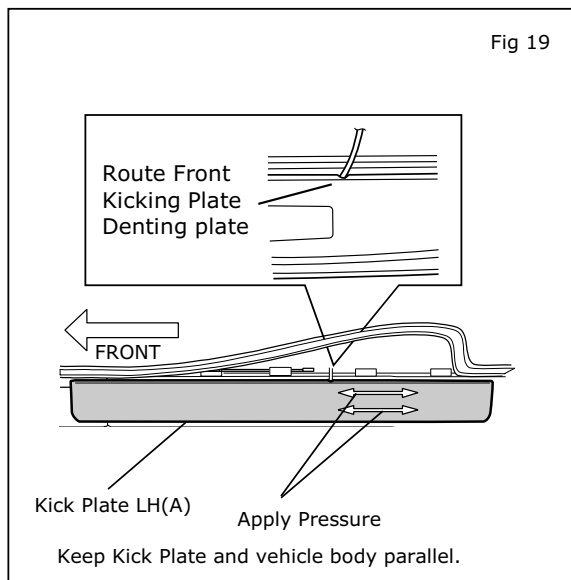
## INSTALLATION INSTRUCTIONS - ILLUMINATED KICK PLATE

### 11. KICK PLATE INSTALLATION

The procedure below shows the installation for LH side.  
Repeat procedure for RH side.



- 1) Remove the vehicle weather strip near the kick plate (A) attachment location shown in Fig 18.
- 2) Clean area with 100% alcohol and let dry for 30 seconds.



- 5) Pull the adhesive tape liner.
- 6) Align clips on part to first, second and fourth hole on vehicle from front side.
- 7) Set part on vehicle, being careful to keep the outside edge of the part parallel to the rocker panel.
- 8) Apply minimum 15lb(49N) of pressure along the part to attach tape to body shown in Fig 19.

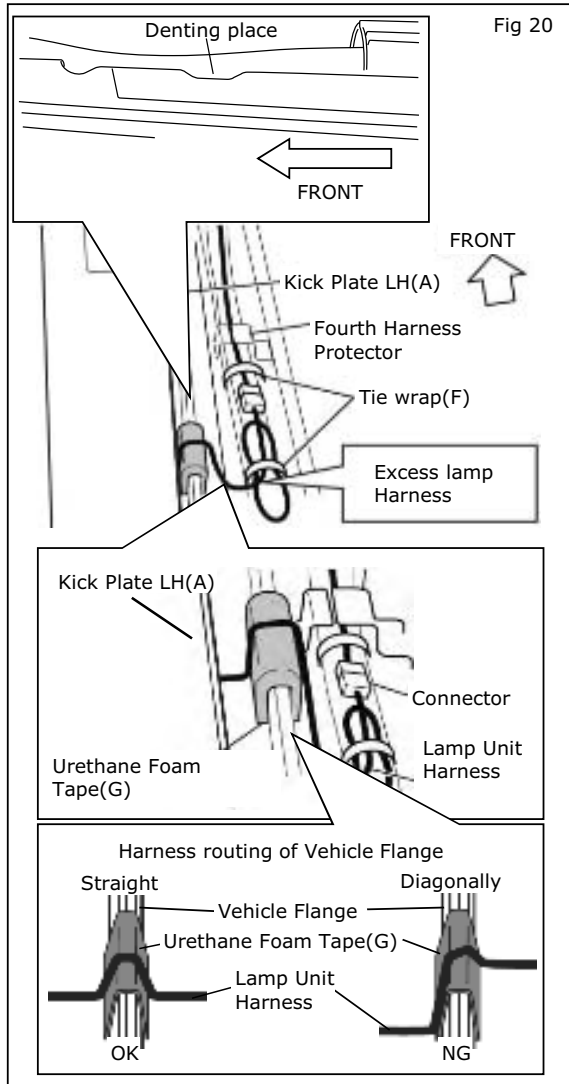
### **CAUTION**

- Use caution when applying pressure as the surface may dent.
- During installation, be careful not to allow the harness to get stuck between the vehicle and the kick plate.
- Harness should be routed through the notched area of the kick plate.

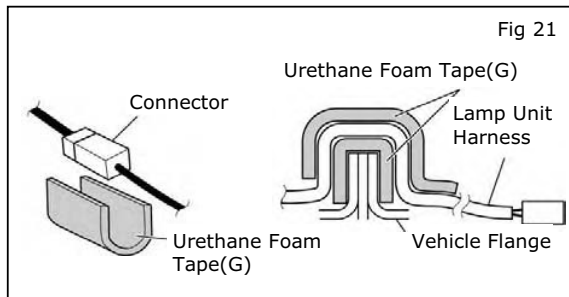
## INSTALLATION INSTRUCTIONS - ILLUMINATED KICK PLATE

### 12. HARNESS CONNECTION INSTALLATION

The procedure below shows the installation for LH side. Repeat procedure for RH side.



- 1) Fold one piece Urethane Foam Tape (G) and cut into two equal pieces.
- 2) Clean both sides of the attachment area for the Urethane Foam Tape (G) with the 100% alcohol. Let dry for 30 seconds. Shown in Fig 20.
- 3) Attach the cut piece of Urethane Foam Tape (G) to vehicle denting flange shown in Fig 20.
- 4) Place the lamp harness on top of the Urethane Foam Tape (G), then apply second half of the Urethane Foam Tape (G) on top of the harness. Shown in fig 20 and fig 21.
- 5) Connect the connectors and apply the Urethane Foam Tape (G) on the connecting section shown in fig 21.
- 6) Attach excess lamp harness to the vehicle harness with a Tie Wrap (F) shown in Fig 20.
- 7) Cut excess Tie Wrap.

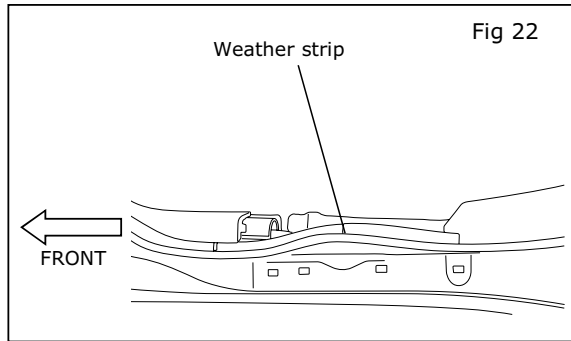


### ⚠ CAUTION

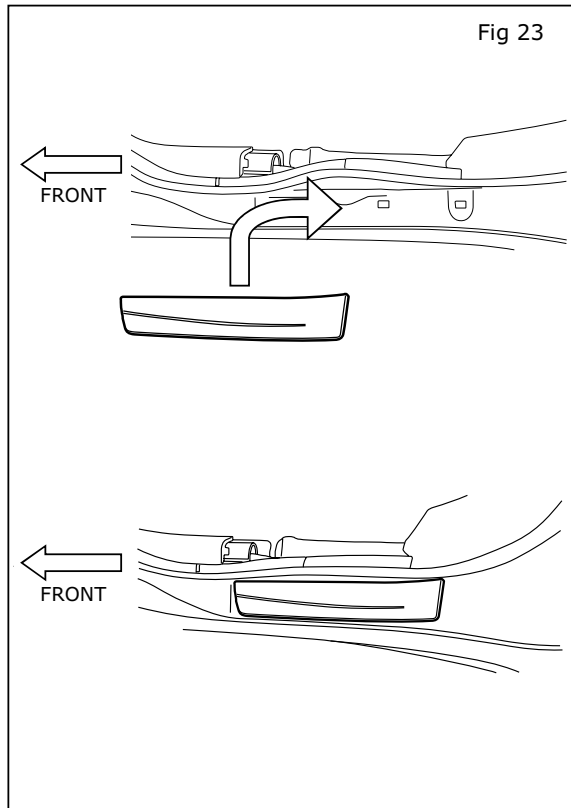
- Do not attach the harness to sharp metal edge.

## INSTALLATION INSTRUCTIONS - ILLUMINATED KICK PLATE

- 13. REAR KICK PLATE INSTALLATION** The procedure below shows the installation for LH side.  
Repeat procedure for RH side.



- 1) Remove the vehicle weather strip near the Kick Plate (C) attachment location shown in Fig 22.



- 2) Align 4 clips on part with the 4 vehicle holes.
- 3) Press down of part to engage the 4 clips.  
Shown in Fig 23.

### CAUTION

- Use caution when applying pressure as the surface may dent.

## INSTALLATION INSTRUCTIONS - ILLUMINATED KICK PLATE

### 14. CHECK AFTER INSTALLATION

- 1) Please check that the installation has no problem.
- a) confirm connection of connector
  - b) confirm whether wire harness is fixed.

### 15. FUNCTION CHECK

- 1) Re-connect battery negative terminal to proper torque.
- 2) Confirm "INFINITI" text is illuminated when either door is in the opened position.

### 16. REINSTALLATION OF REMOVED PARTS

- 1) All removed vehicle parts have been reinstalled.

#### CAUTION

- Use caution when re-installing interior components to avoid damage, scratch, or breaking of mounting clips.

- 2) Clean interior of vehicle.

### 17. VEHICLE CHECK

- 1) Remove all tools from the vehicle.
- 2) Inspect reinstalled interior trim parts for proper panel fit.
- 3) Reset radio presets to the recorded setting.
- 4) Turn ignition to ON position.
- 5) Confirm proper radio operation.
- 6) Initialize sun roof, and power window operation.
- 7) Confirm proper operation of the rear window washer fluid.
- 8) Turn ignition to off position.

#### CAUTION

- During restoring, please use caution so as not to cause the stacking of the vehicle's harness, or damage any other parts.